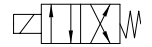
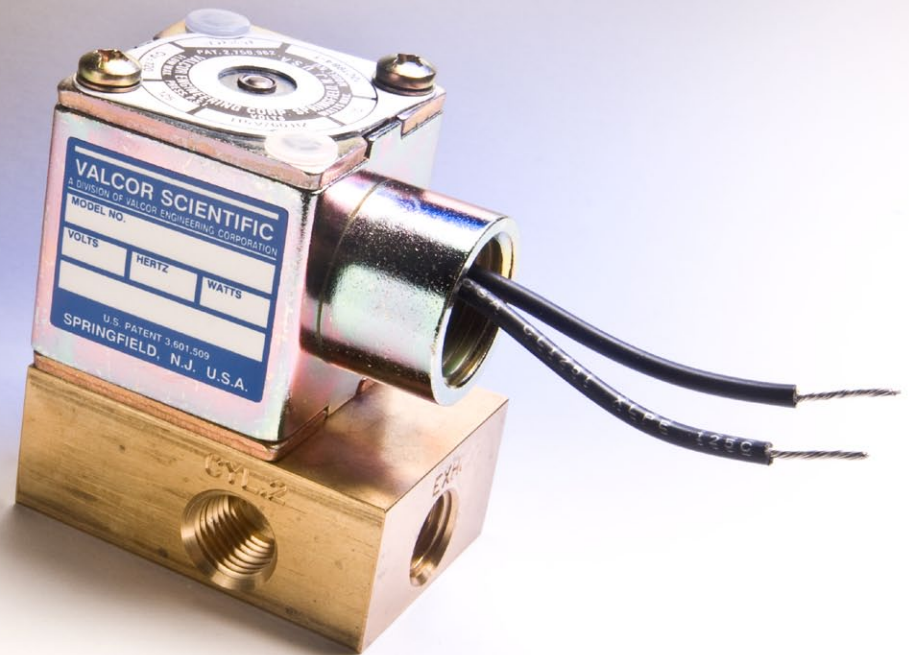


SV10

4-Way, 4 Ports, 2 Position
Direct Acting



Valcor General Purpose Series



DESCRIPTION

The SV10 series is a 4-way, direct acting, 4 port, 2-position solenoid valve series. This valve design is primarily used for controlling double-acting air or hydraulic cylinders. No minimum pressure is required for operation, and less than 1 PSI pressure differential in the direction of flow is needed for bubble-tight sealing.

APPLICATIONS

The SV10 series is suitable for a broad range of light industrial applications including:

- Control of cylinders in packaging equipment
- Control of quarter-turn pneumatic actuator use in process control
- Control of air vanes or dampers

FEATURES

- Direct acting design is less prone to hanging up
- Shear seal wiping action is "self cleaning"
- Straight thru flow provides high Cv in small package
- Compact construction is ideal for tight installations



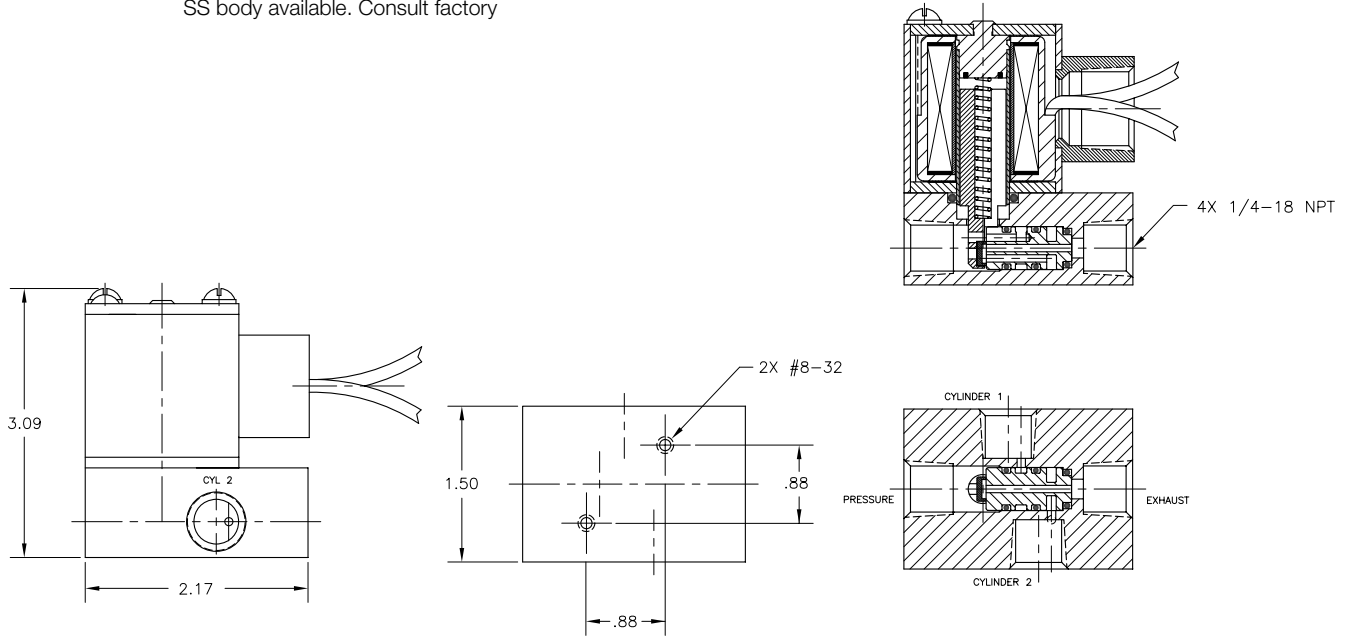
VALCOR SV10 SPECIFICATIONS

Construction

Valve Parts in Contact with Fluid

| | |
|-----------------|----------|
| Body | Brass |
| Shear Seal Disc | Delrin |
| Body Seal | Neoprene |
| Plunger Tube | 303 SS |
| Plunger | 430F SS |
| Shading Coil | Silver |
| Plunger Stop | 430F SS |
| Spring | 303 SS |
| 4-way seat | 303 SS |

Options: EPDM, Buna N or Viton body seal available.
SS body available. Consult factory



Electrical

Standard voltages 115/60 AC & 24/VDC. Consult factory for other voltages

Standard coil housing General purpose with 1/2" NPT conduit.
Explosion proof and grommeted pigtailed housing are also available. Consult factory.
Replace 1st "C" in part number with "E" for explosion proof.
Replace 1st "C" in part number with "G" for grommeted pigtailed.
Example: SV10E19B4-1 for explosion proof solenoid.

Specifications- 4 Ports, 2 Position, 4-Way valve

| Port Size (NPT) | Orifice Size (ins.) | C _v Pressure Port to Cylinder | C _v Cylinder Port to Exhaust | Min. Pressure Differential (PSI) | Max. Operating Pressure (PSIG) | | Model Number | Wattage | |
|-----------------|---------------------|--|---|----------------------------------|--------------------------------|--------|--------------|------------|----------|
| | | | | | Gas | Liquid | | Brass Body | 115/60Hz |
| 1/4 | 1/16 | 0.1 | 0.07 | 1 | 125 | 100 | SV10C19B4-1 | 10 | |
| 1/4 | 1/16 | 0.1 | 0.07 | 1 | 125 | 100 | SV10C56HB4-1 | | 15 |

Optional o-rings are available by replacing the last digit of part number with "2" for Viton, "6" for Buna N, and "7" for EPDM